

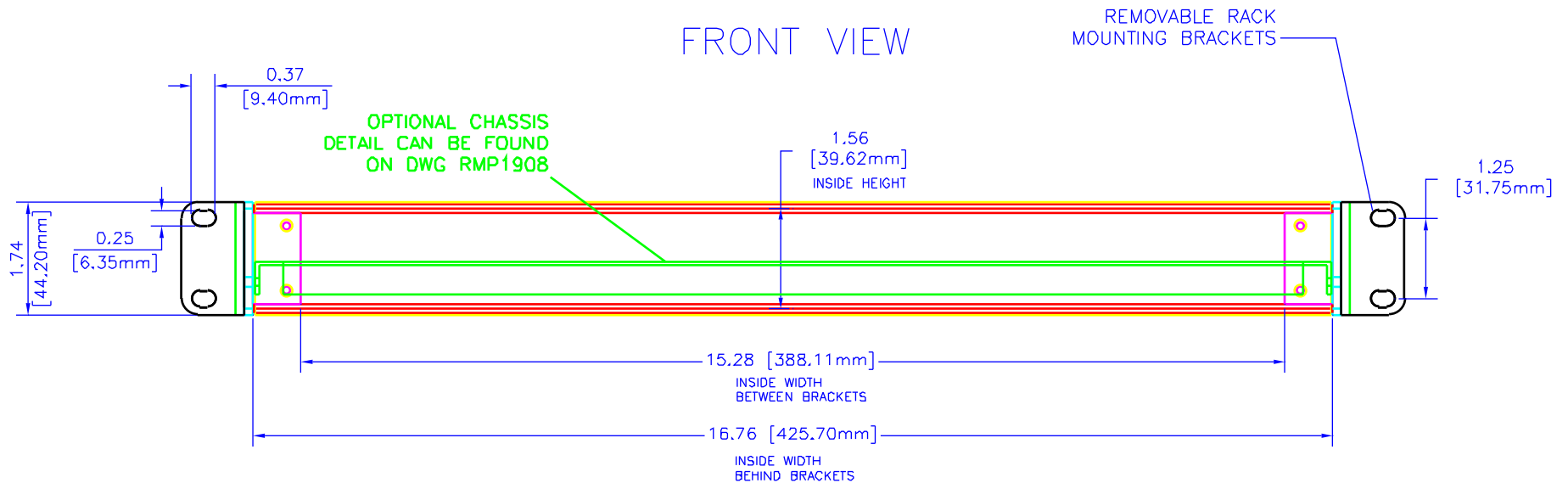
REV	DESCRIPTION	DATE
A	CORRECTED RACK MOUNT BRACKET DETAIL	10/11/01

## NOTES

**MATERIAL** TOP & BOTTOM 0.062" STEEL, SIDES, FRONT, REAR & HORIZONTAL SUPPORTS 0.125" ALUMINUM, DIMENSIONS ARE TAKEN WITH THE PAINTED SURFACE

**FINISH** TOP, BOTTOM & SIDE PANELS, TEXTURED BLACK, FRONT/REAR PANELS ON SMOOTH BLACK, ONE CONTEMPRA GRAY (RAL 7032), ALL POWDER PAINT,

## FRONT VIEW



UNLESS OTHERWISE SPECIFIED  
DIMENSIONS ARE IN INCHES

X +/- .1  
XX +/- .02  
XXX +/- .015  
CUTS +/- .005  
ANGLES +/- 5 DEG.

**NOTES**

HAMMOND MANUFACTURING PROPRIETARY RIGHTS IN THE MATERIAL ON THIS DRAWING IS INTENDED TO BE USED AS A REFERENCE FOR ENGINEERING INFORMATION ONLY. THIS INFORMATION MAY NOT BE USED TO MANUFACTURE PRODUCT WITHOUT WRITTEN PERMISSION FROM HAMMOND MANUFACTURING.



**HAMMOND  
MANUFACTURING**

WEB: [WWW.HAMMONDMFG.COM](http://WWW.HAMMONDMFG.COM)

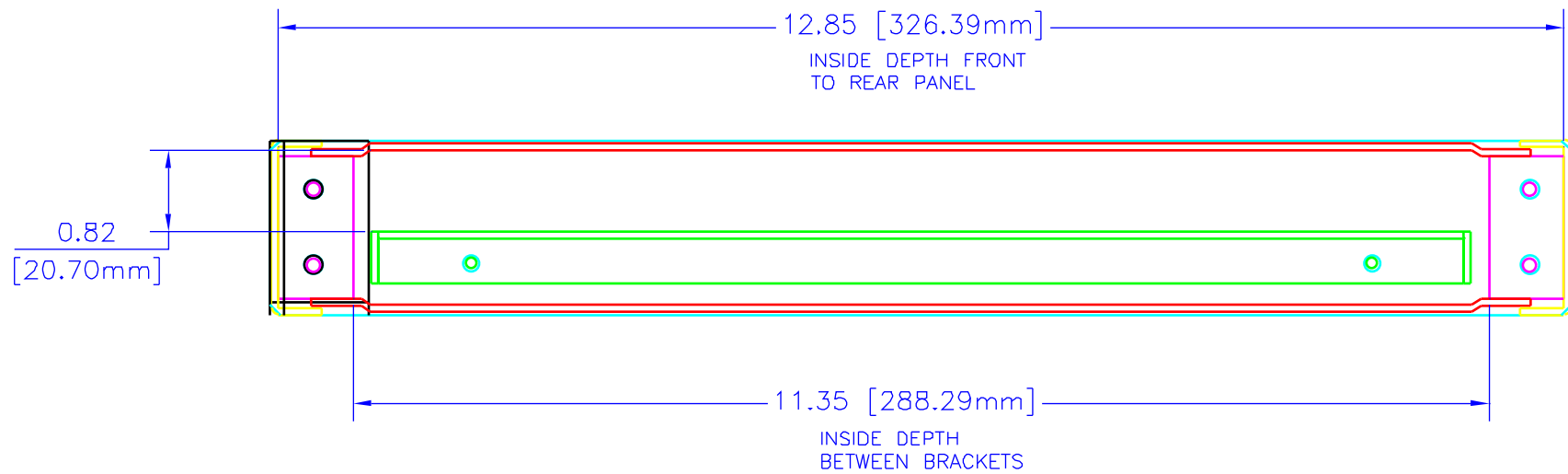
**TITLE** HAMMOND RMCV SERIES RACK ENCLOSURE

**DRAWN BY** MJM **DATE** 10/04/01

**SCALE** **PAGE** 1 OF 3

**PART NUMBER** RMCV190113

# SIDE VIEW



UNLESS OTHERWISE SPECIFIED  
DIMENSIONS ARE IN INCHES

X	+/- .1
XX	+/- .02
XXX	+/- .015
FITS	+/- .000
ANGLES	+/- .5 DEG.

NOTES:  
HAMMOND MANUFACTURING RESERVES ALL RIGHTS TO THE MATERIAL ON THIS DRAWING. IT IS INTENDED TO BE USED AS A REFERENCE FOR ENGINEERING INFORMATION ONLY. THIS INFORMATION MAY NOT BE USED TO MANUFACTURE PRODUCTS WITHOUT WRITTEN PERMISSION FROM HAMMOND MANUFACTURING.

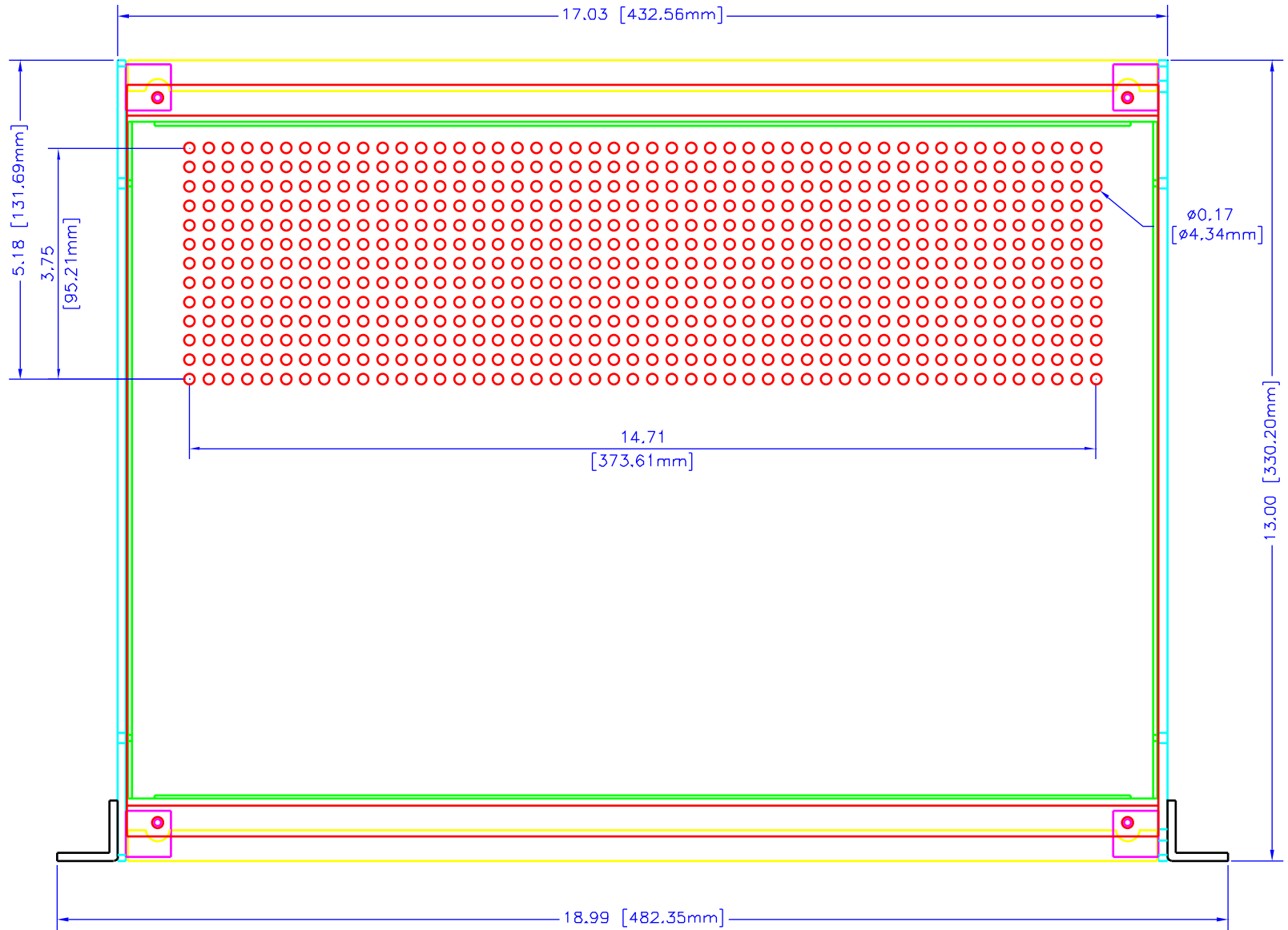


**HAMMOND  
MANUFACTURING**

WEB: [WWW.HAMMONDMFG.COM](http://WWW.HAMMONDMFG.COM)

TITLE		HAMMOND RMCV SERIES RACK ENCLOSURE	
DRAWN BY	MJM	DATE	10/04/01
SCALE		PAGE	2 OF 3
PART NUMBER		RMCV190113	

# TOP VIEW



UNLESS OTHERWISE SPECIFIED  
DIMENSIONS ARE IN INCHES

X	+/- .1
XX	+/- .02
XXX	+/- .015
CUTS	+/- .005
ANGLES	+/- 5 DEC.

HAMMOND MANUFACTURING PROPRIETARY RIGHTS TO THE MATERIAL ON THIS DRAWING IS INTENDED TO BE USED AS A REFERENCE FOR ENGINEERING INFORMATION ONLY. THIS INFORMATION MAY NOT BE USED TO MANUFACTURE PRODUCT WITHOUT WRITTEN PERMISSION FROM HAMMOND MANUFACTURING



**HAMMOND  
MANUFACTURING**

WEB: [WWW.HAMMONDMFG.COM](http://WWW.HAMMONDMFG.COM)

TITLE  
**HAMMOND RMCV SERIES  
RACK ENCLOSURE**

DRAWN BY MJM DATE 10/04/01

SCALE PAGE 3 OF 3

PART NUMBER

**RMCV190113**